



Kyra Medical, Inc.
102 Otis St.
Northborough, MA 01532
United States of America

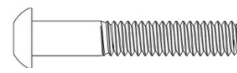
KTEK™ Stirrup Cart

Assembly Instructions



KTEK™ Stirrup Cart:
KTEK1000

1 Parts List



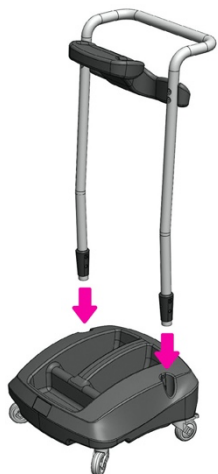
1/4" - 20 x 2" (4)



5/32"

2 Assembly Instructions

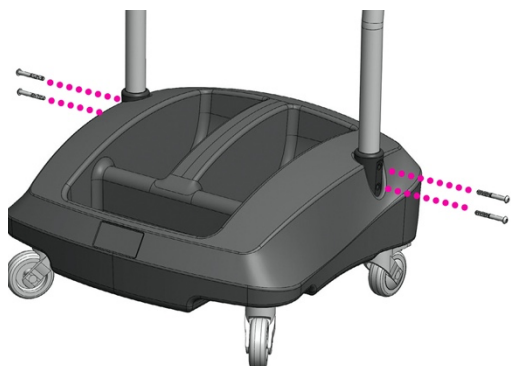
1



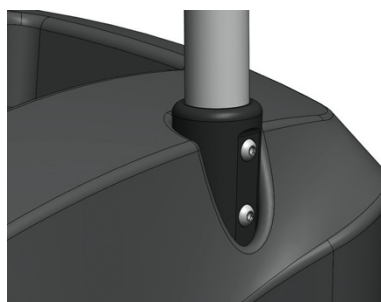
2



3



4



5



k•tek™

Kyra Medical, Inc.
102 Otis St.
Northborough, MA 01532
United States of America

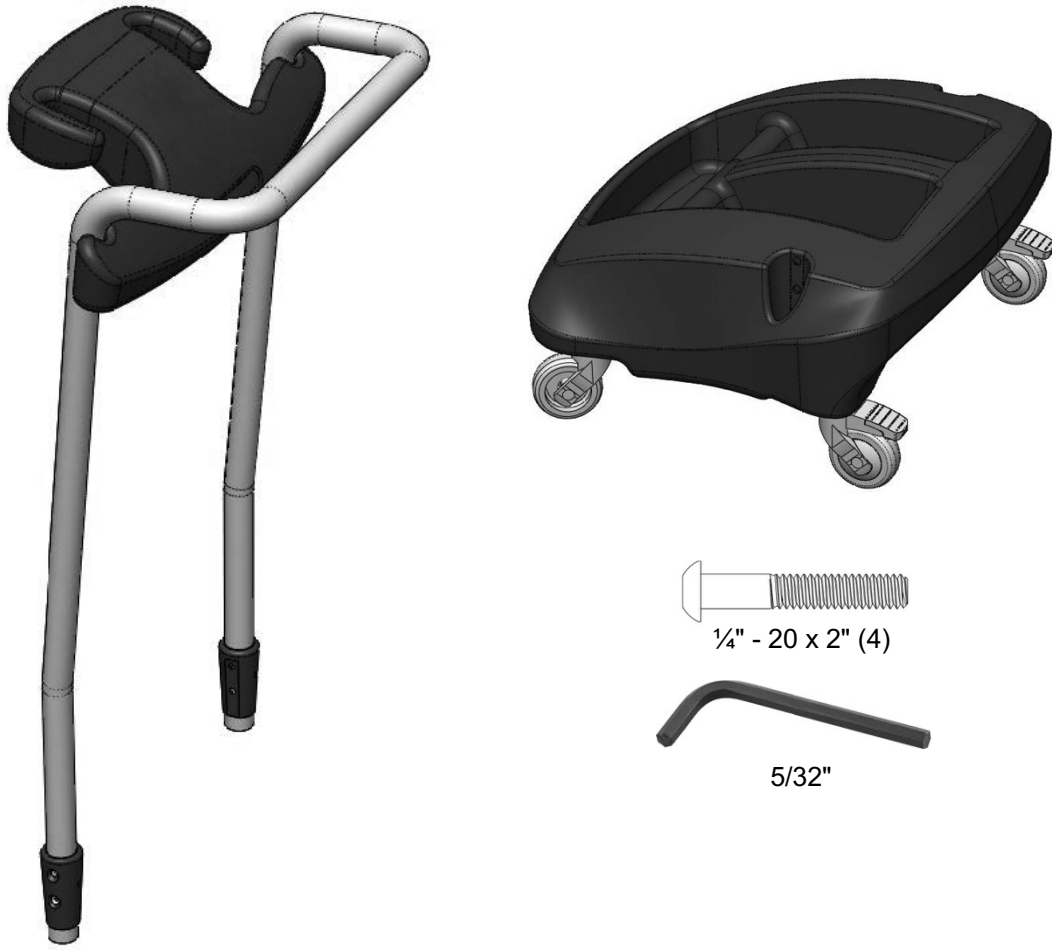
KTEK™ Stirrup Cart

使用说明



KTEK™ Stirrup Cart:
KTEK1000

1 零件清单



2 装配说明

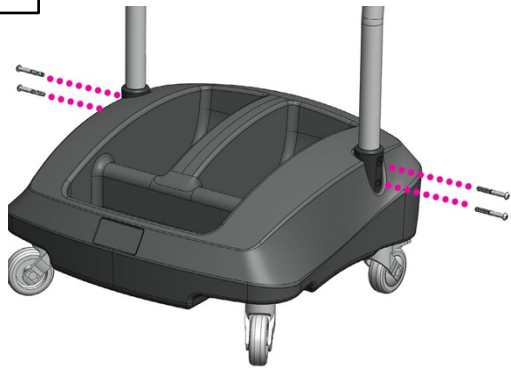
1



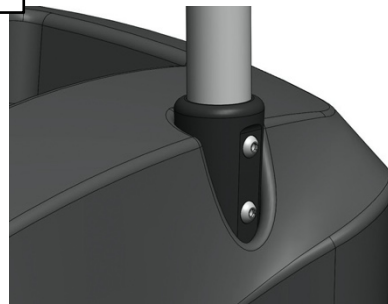
2



3



4



5



k•tek™

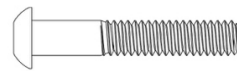
Kyra Medical, Inc.
102 Otis St.
Northborough, MA 01532
United States of America

KTEK™ Stirrup Cart Brugsanvisning



KTEK™ Stirrup Cart:
KTEK1000

1 Liste over dele



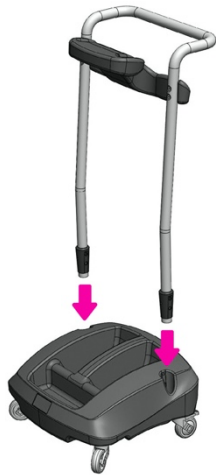
1/4" - 20 x 2" (4)



5/32" x 1

2 Monteringsvejledning

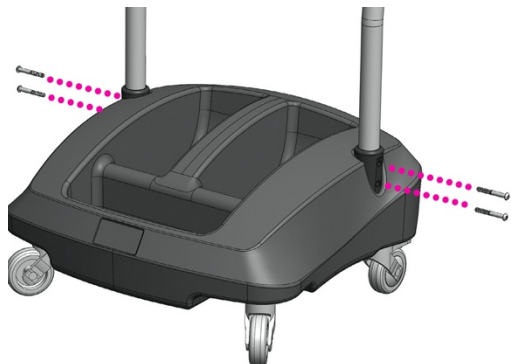
1



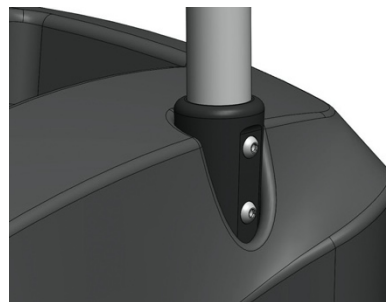
2



3



4



5



k•tek™

Kyra Medical, Inc.
102 Otis St.
Northborough, MA 01532
United States of America

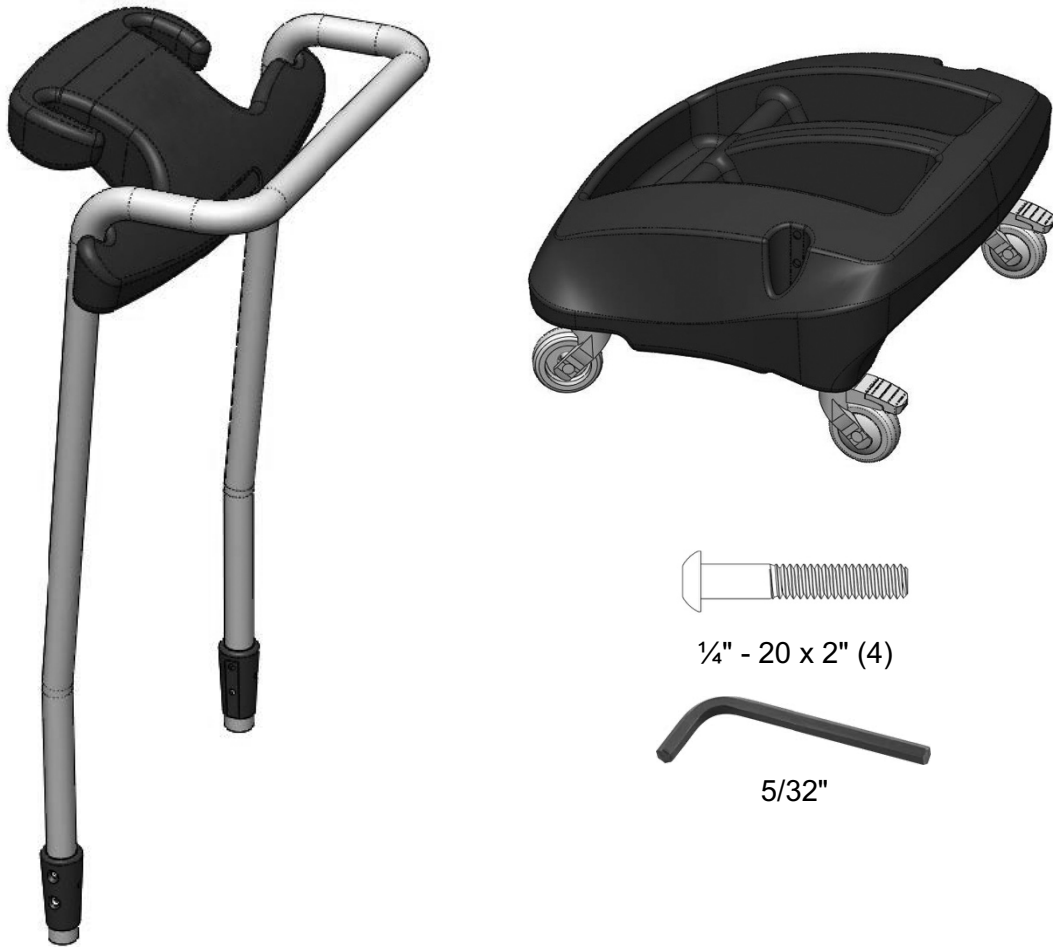
KTEK™ Stirrup Cart

Gebruiksaanwijzing



KTEK™ Stirrup Cart:
KTEK1000

1 Lijst van onderdelen



2 Montage-instructies

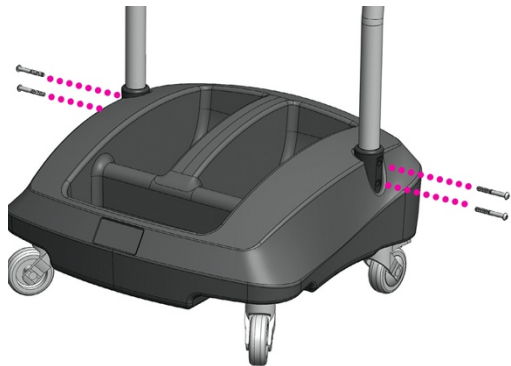
1



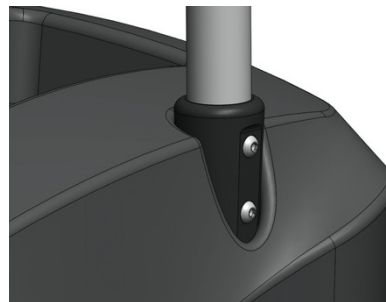
2



3



4



5



k•tek™

Kyra Medical, Inc.
102 Otis St.
Northborough, MA 01532
United States of America

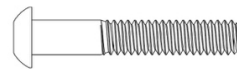
KTEK™ Stirrup Cart

Käyttöohjeet



KTEK™ Stirrup Cart:
KTEK1000

1 Luettelo osista



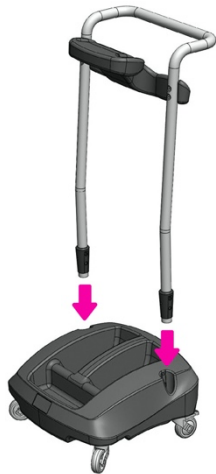
1/4" - 20 x 2" (4)



5/32"

2 Kokoamisohjeet

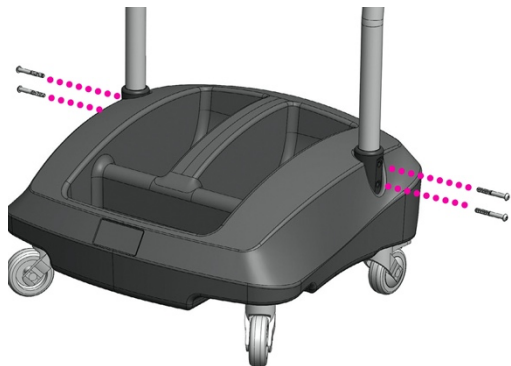
1



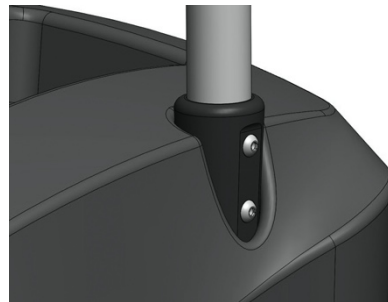
2



3



4



5



k•tek™

Kyra Medical, Inc.
102 Otis St.
Northborough, MA 01532
United States of America

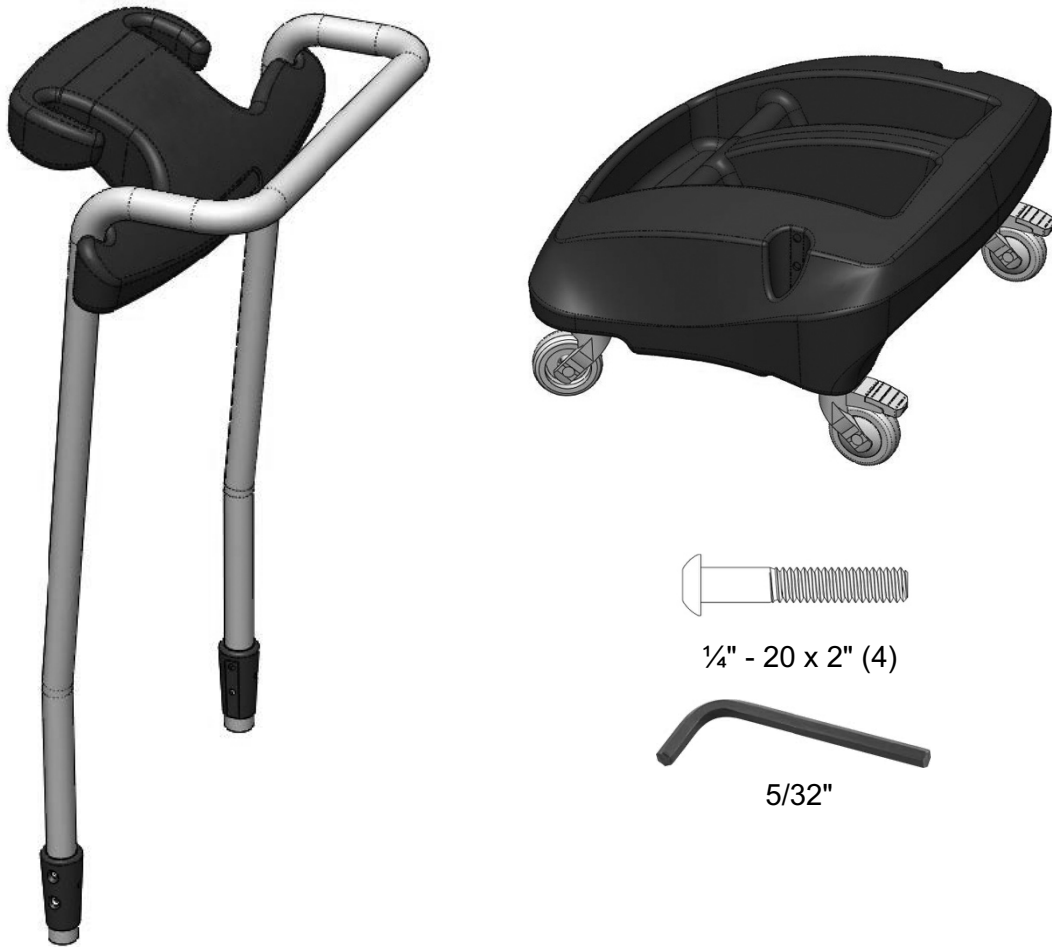
KTEK™ Stirrup Cart

Manuel d'utilisation



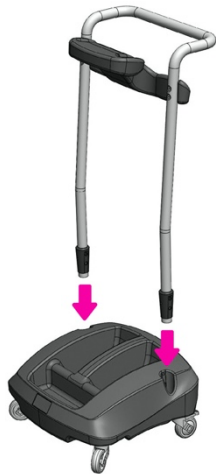
KTEK™ Stirrup Cart:
KTEK1000

1 List des pièces



2 Instructions de montage

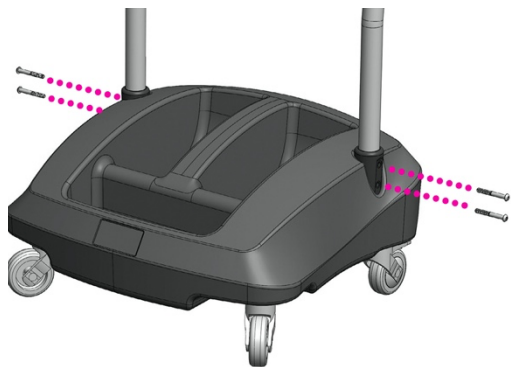
1



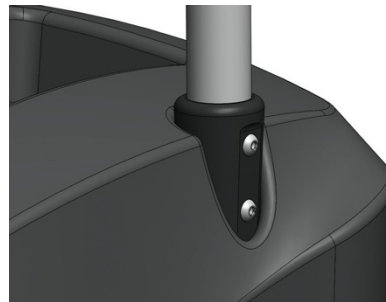
2



3



4



5



k•tek™

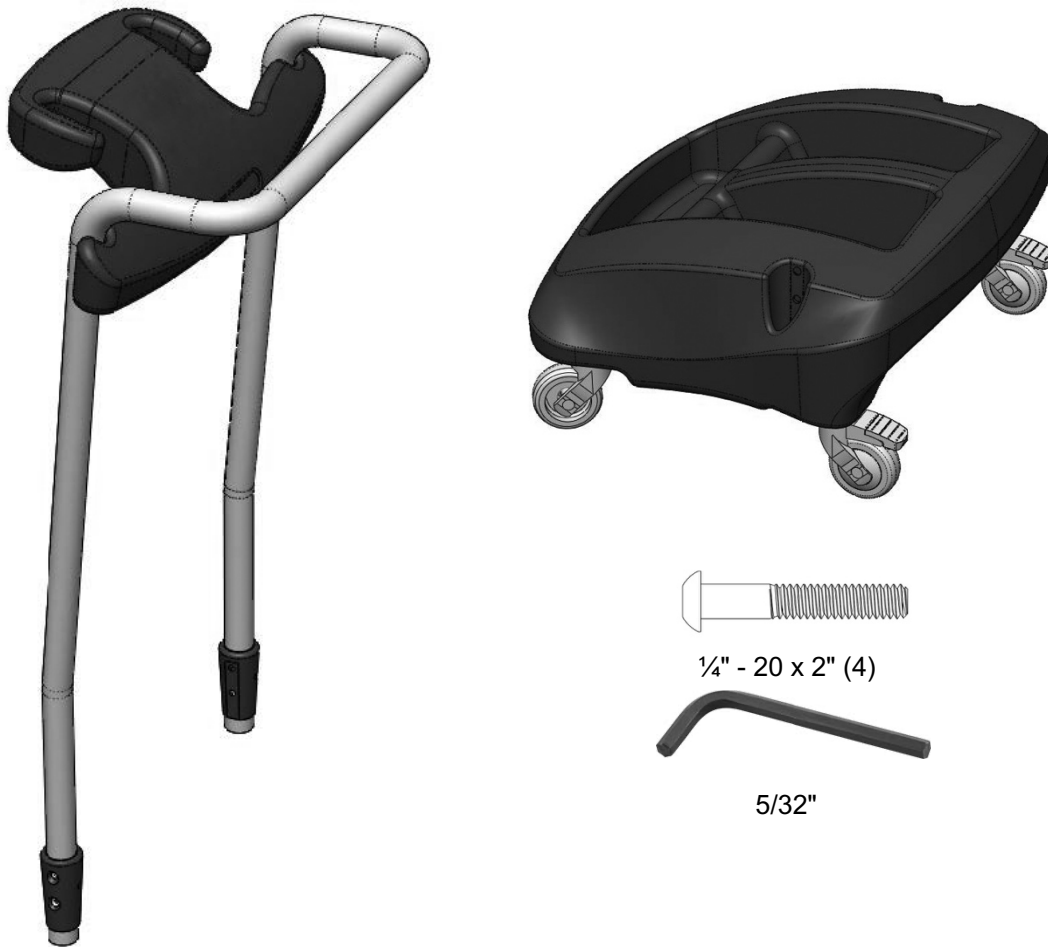
Kyra Medical, Inc.
102 Otis St.
Northborough, MA 01532
United States of America

KTEK™ Stirrup Cart Gebrauchsanweisung



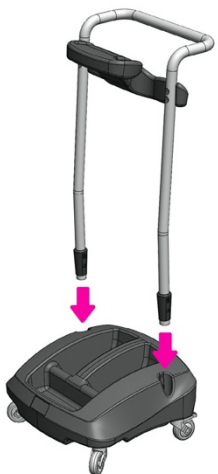
KTEK™ Stirrup Cart:
KTEK1000

1 Liste der Teile



2 Montageanleitungen

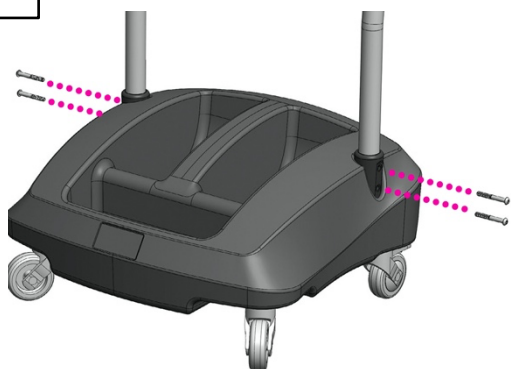
1



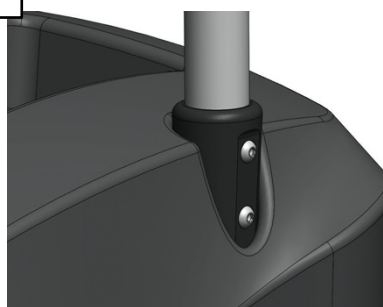
2



3



4



5



k•tek™

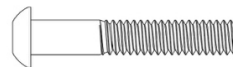
Kyra Medical, Inc.
102 Otis St.
Northborough, MA 01532
United States of America

KTEK™ Stirrup Cart
οδηγίες χρήσεως



KTEK™ Stirrup Cart:
KTEK1000

1 Κατάλογος εξαρτημάτων



1/4" - 20 x 2" (4)



5/32"

2 Οδηγίες συναρμολόγησης

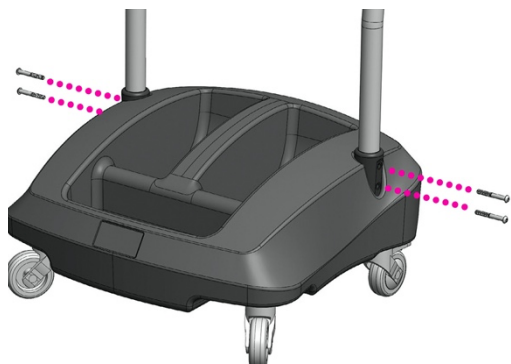
1



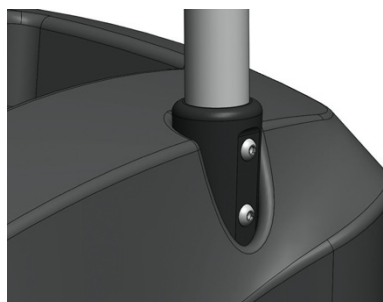
2



3



4



5



k•tek™

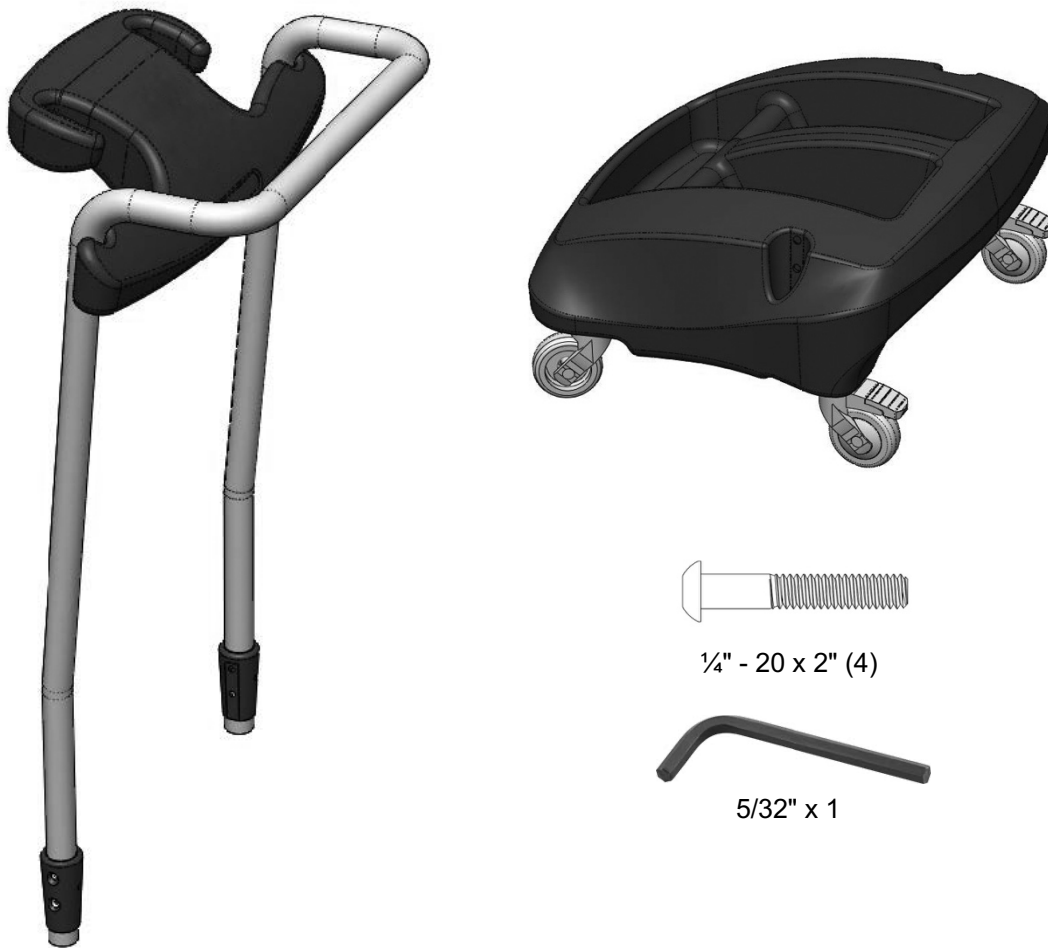
Kyra Medical, Inc.
102 Otis St.
Northborough, MA 01532
United States of America

KTEK™ Stirrup Cart istruzioni per l'uso



KTEK™ Stirrup Cart:
KTEK1000

1 Elenco delle parti



2 Istruzioni per il montaggio

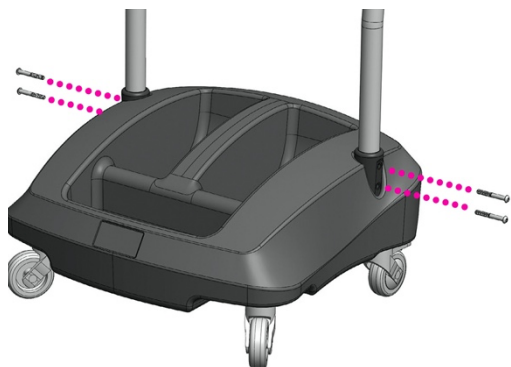
1



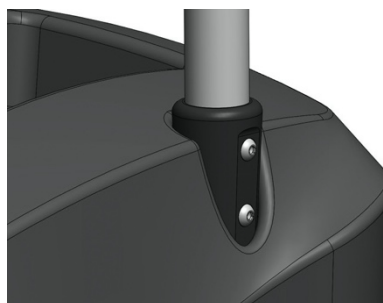
2



3



4



5



k•tek™

Kyra Medical, Inc.
102 Otis St.
Northborough, MA 01532
United States of America

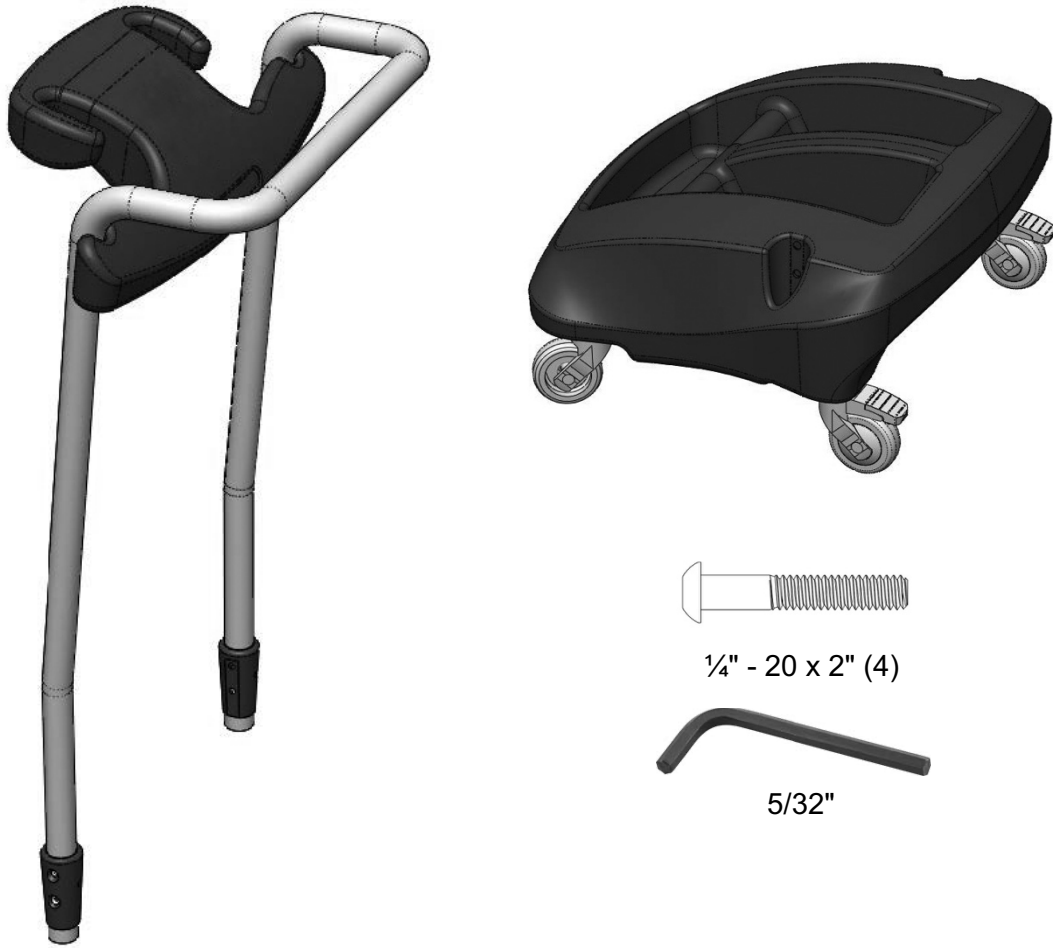
KTEK™ Stirrup Cart

使用説明書



KTEK™ Stirrup Cart:
KTEK1000

1 パーツリスト



2 組立説明書

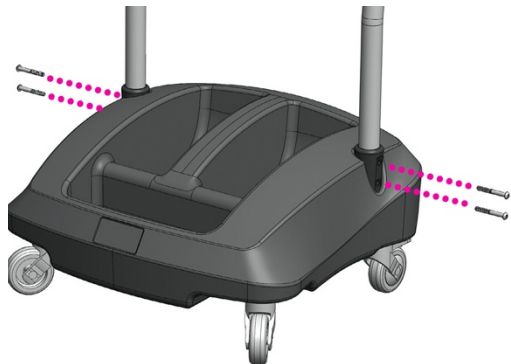
1



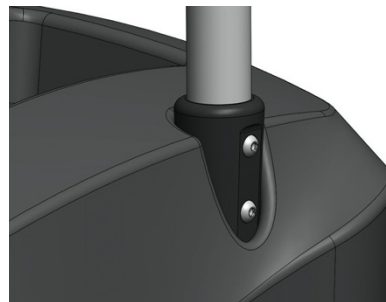
2



3



4



5



k•tek™

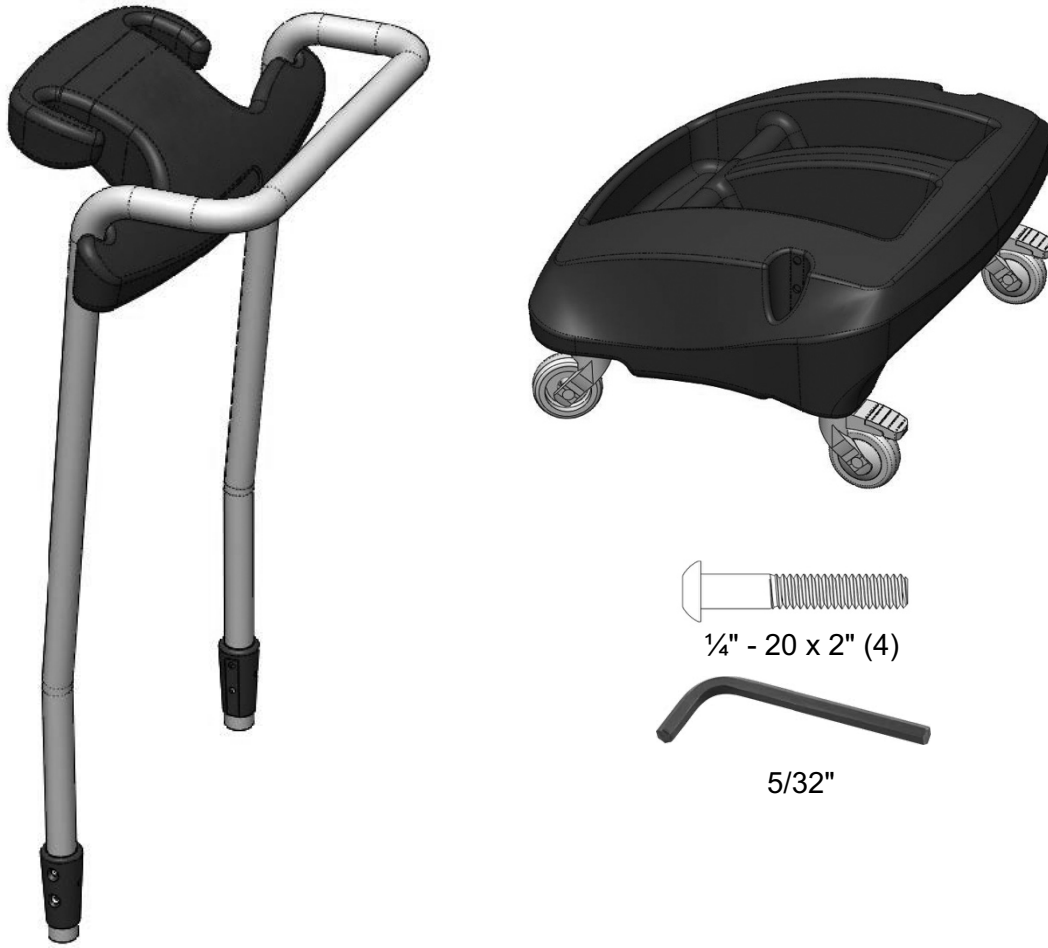
Kyra Medical, Inc.
102 Otis St.
Northborough, MA 01532
United States of America

KTEK™ Stirrup Cart håndbok



KTEK™ Stirrup Cart:
KTEK1000

1 Deleliste



2 Monteringsinstruksjoner

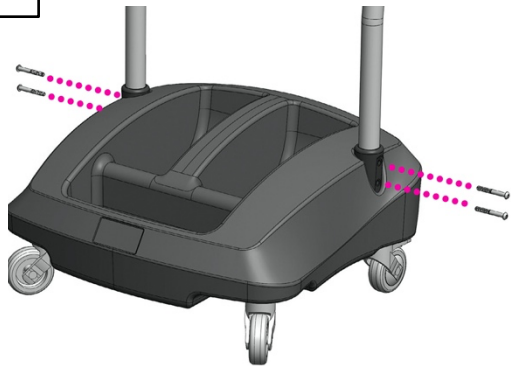
1



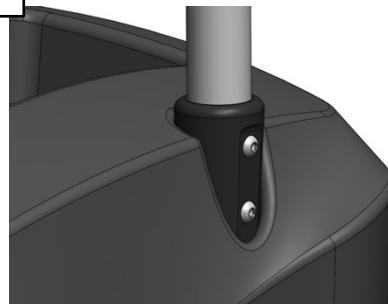
2



3



4



5



k•tek™

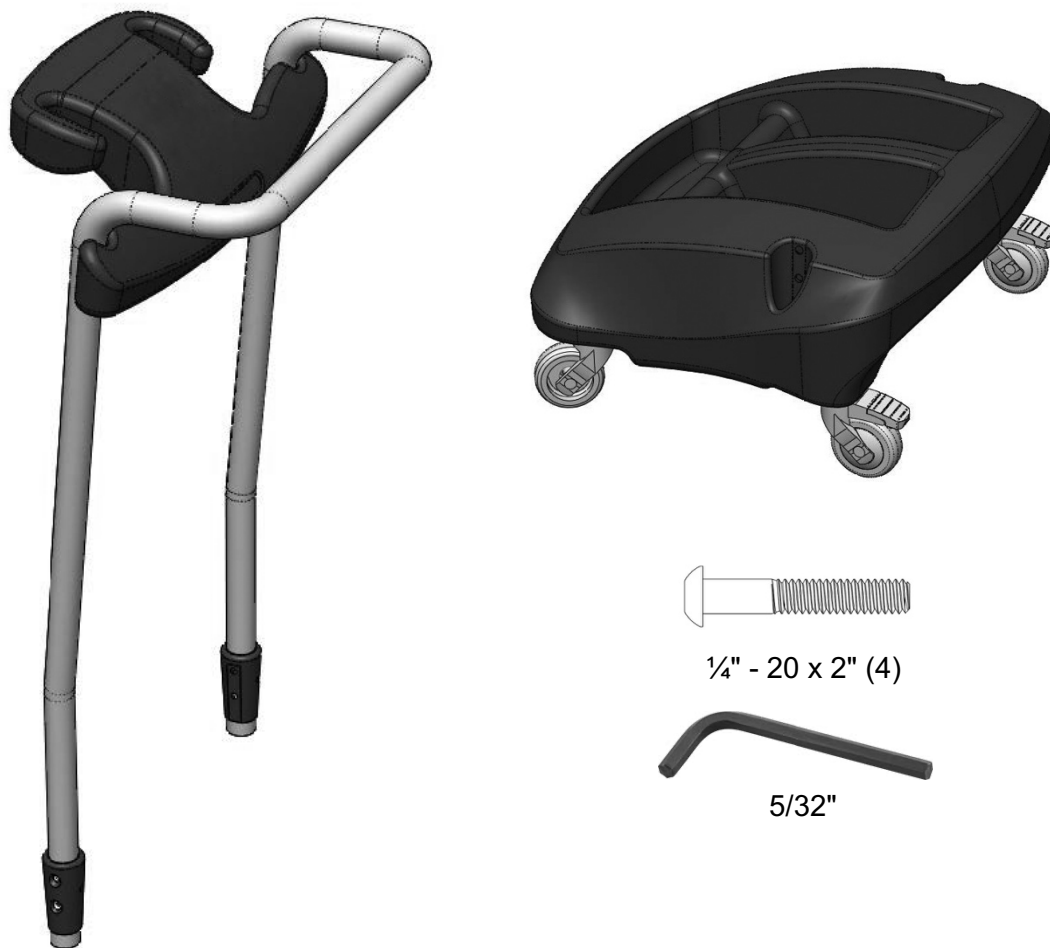
Kyra Medical, Inc.
102 Otis St.
Northborough, MA 01532
United States of America

KTEK™ Stirrup Cart Instrukcja użytkowania

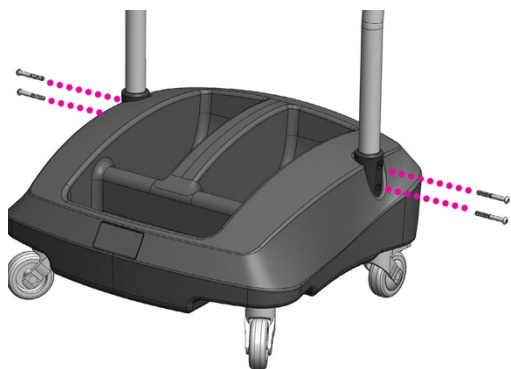
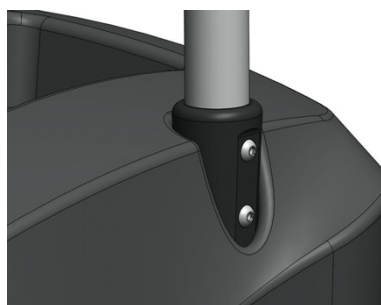


KTEK™ Stirrup Cart:
KTEK1000

1 Lista części



2 Instrukcja montażu

1**2****3****4****5**

k•tek™

Kyra Medical, Inc.
102 Otis St.
Northborough, MA 01532
United States of America

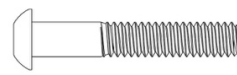
KTEK™ Stirrup Cart

Instruções de uso



KTEK™ Stirrup Cart:
KTEK1000

1 Lista de peças



1/4" - 20 x 2" (4)



5/32"

2 Instruções de montagem

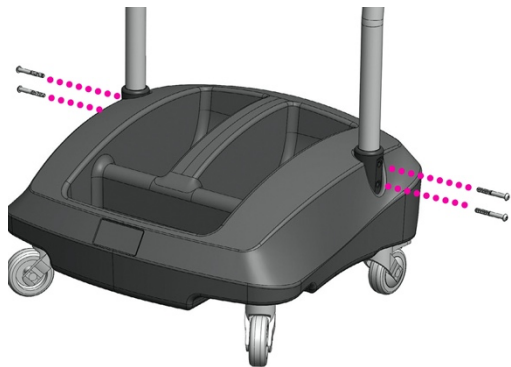
1



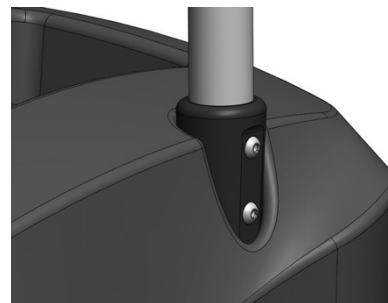
2



3



4



5



k•tek[™]

Kyra Medical, Inc.
102 Otis St.
Northborough, MA 01532
United States of America

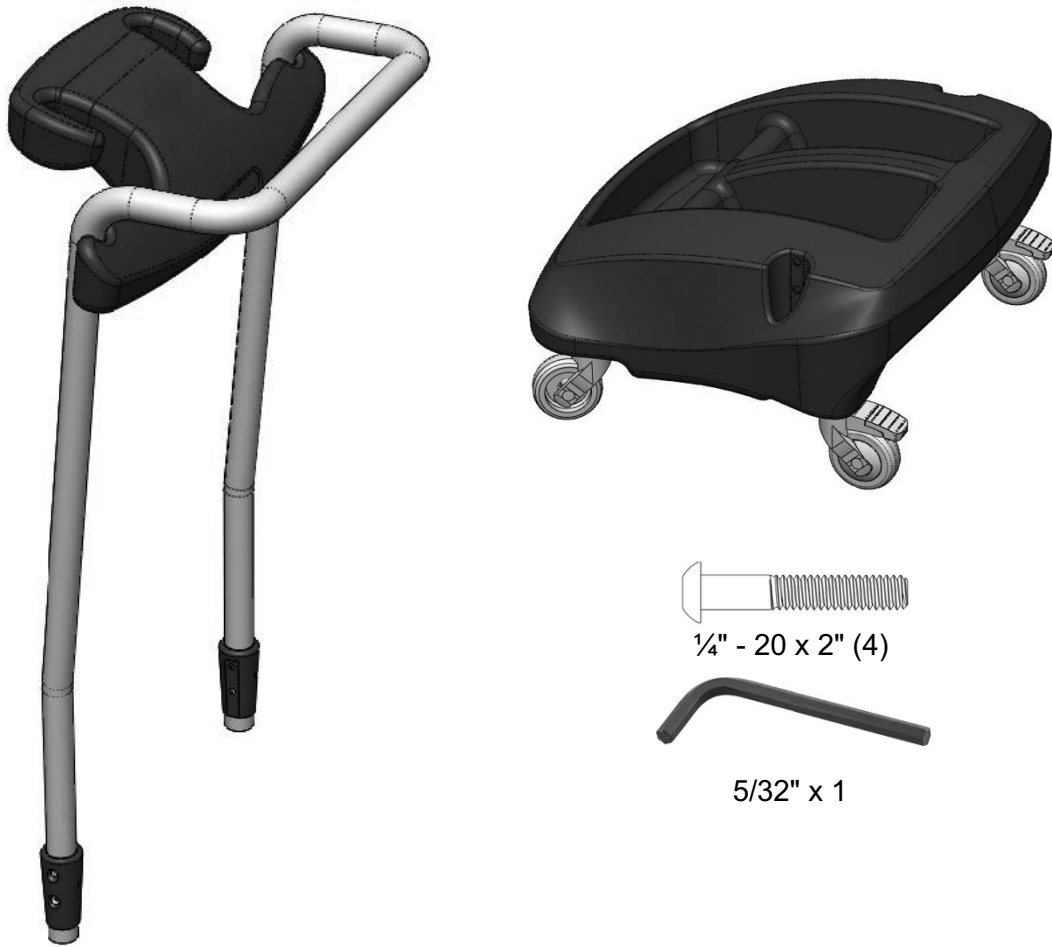
KTEK[™] Stirrup Cart

Instrucțiuni de utilizare



KTEK[™] Stirrup Cart:
KTEK1000

1 Lista de piese



2 Instrucțiuni de asamblare

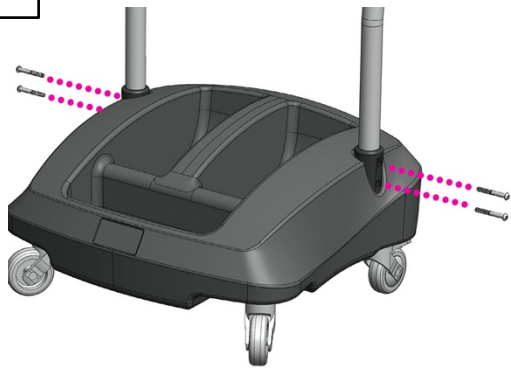
1



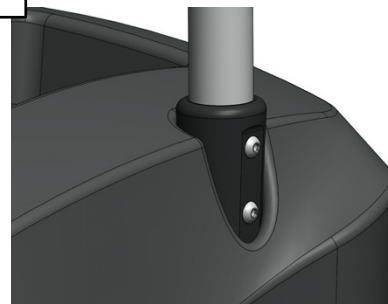
2



3



4



5



k•tek™

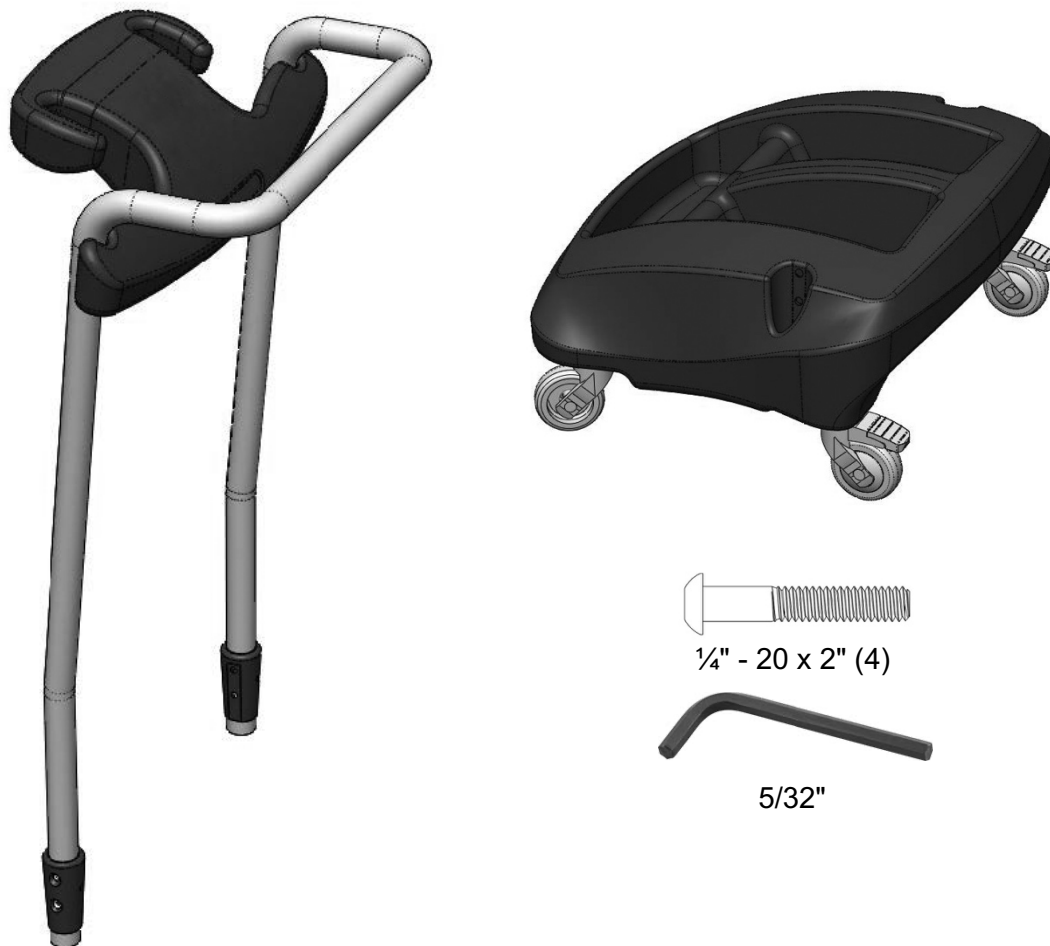
Kyra Medical, Inc.
102 Otis St.
Northborough, MA 01532
United States of America

KYRA® Stirrup Cart Инструкция



KTEK™ Stirrup Cart:
KTEK1000

1 Перечень деталей



2 Инструкции по сборке

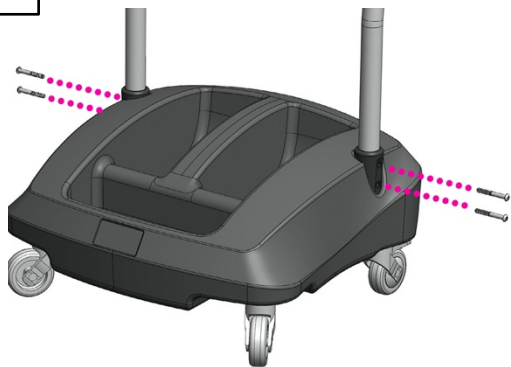
1



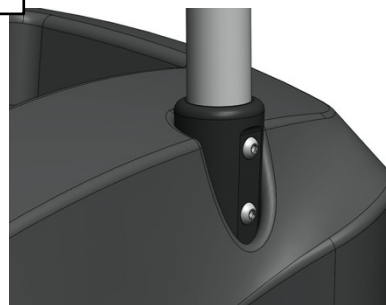
2



3



4



5



k•tek™

Kyra Medical, Inc.
102 Otis St.
Northborough, MA 01532
United States of America

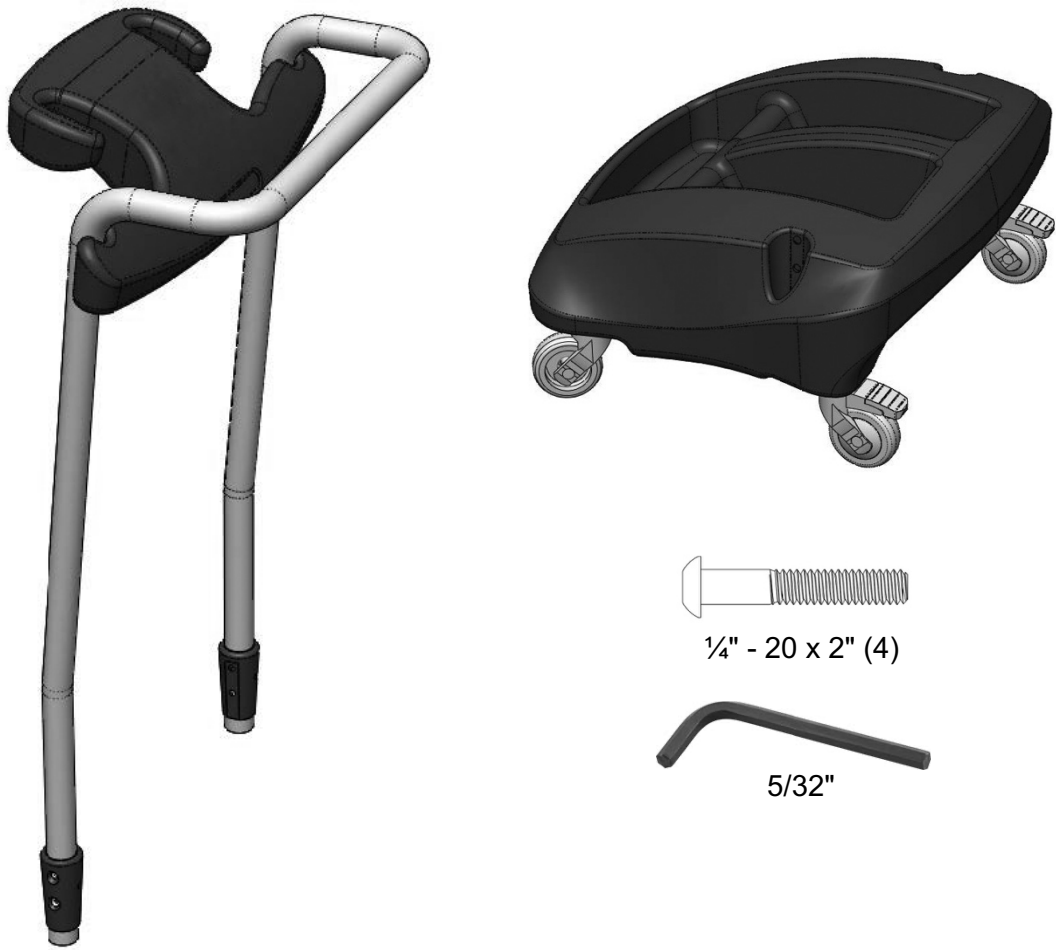
KTEK™ Stirrup Cart

instrucciones de uso



KTEK™ Stirrup Cart:
KTEK1000

1 Lista de piezas



2 Instrucciones de montaje

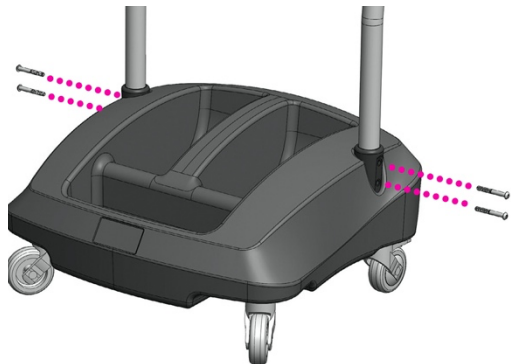
1



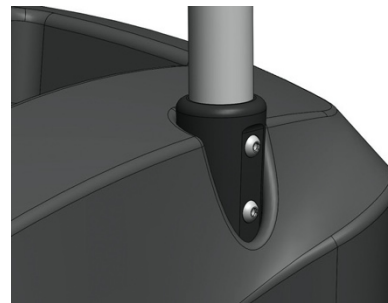
2



3



4



5



k•tek™

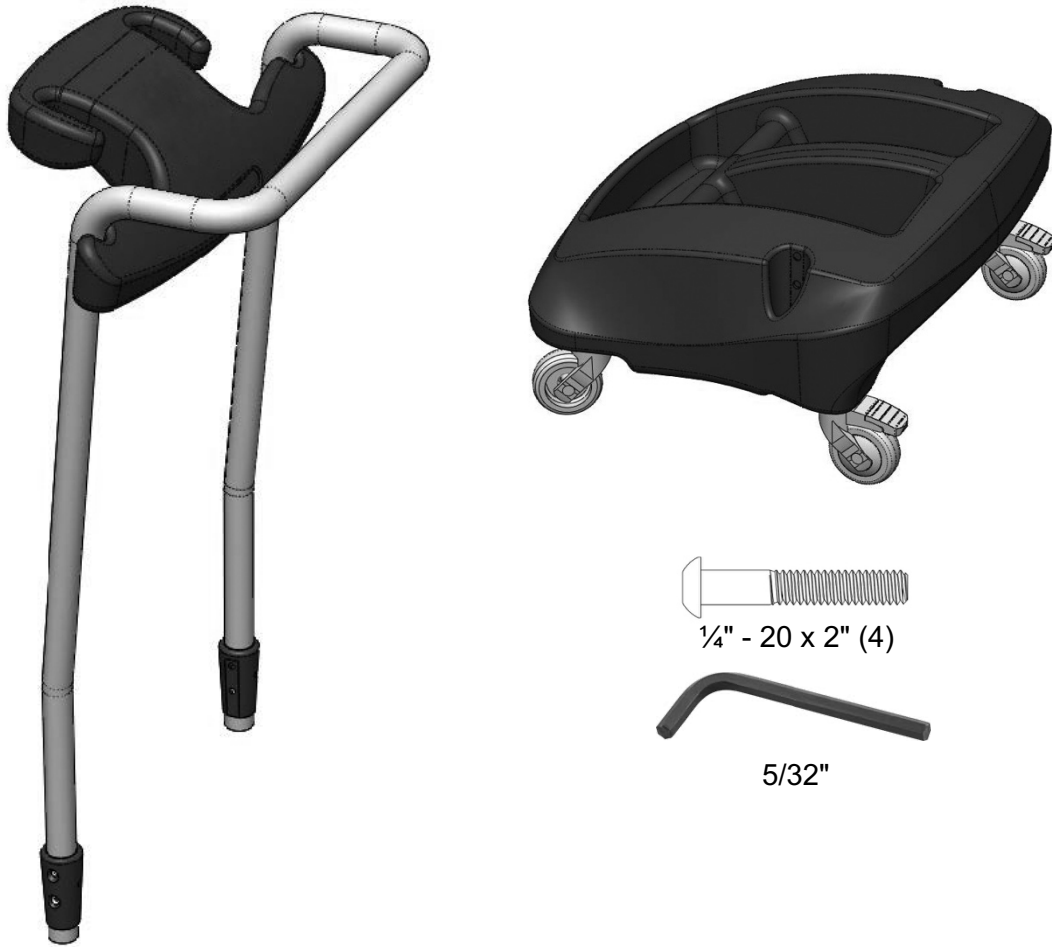
Kyra Medical, Inc.
102 Otis St.
Northborough, MA 01532
United States of America

KTEK™ Stirrup Cart Bruksanvisning



KTEK™ Stirrup Cart:
KTEK1000

1 Delförteckning



2 Monteringsanvisningar

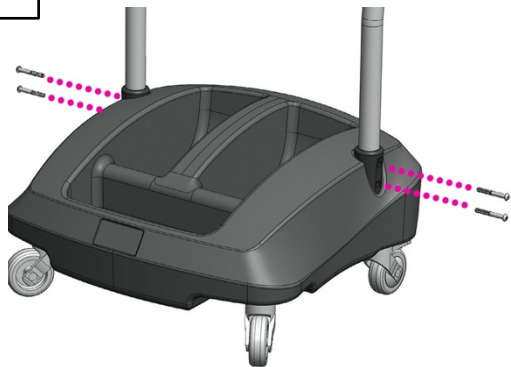
1



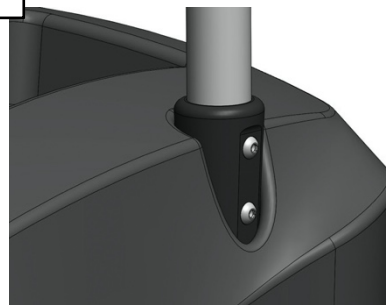
2



3



4



5



k•tek™

Kyra Medical, Inc.
102 Otis St.
Northborough, MA 01532
United States of America

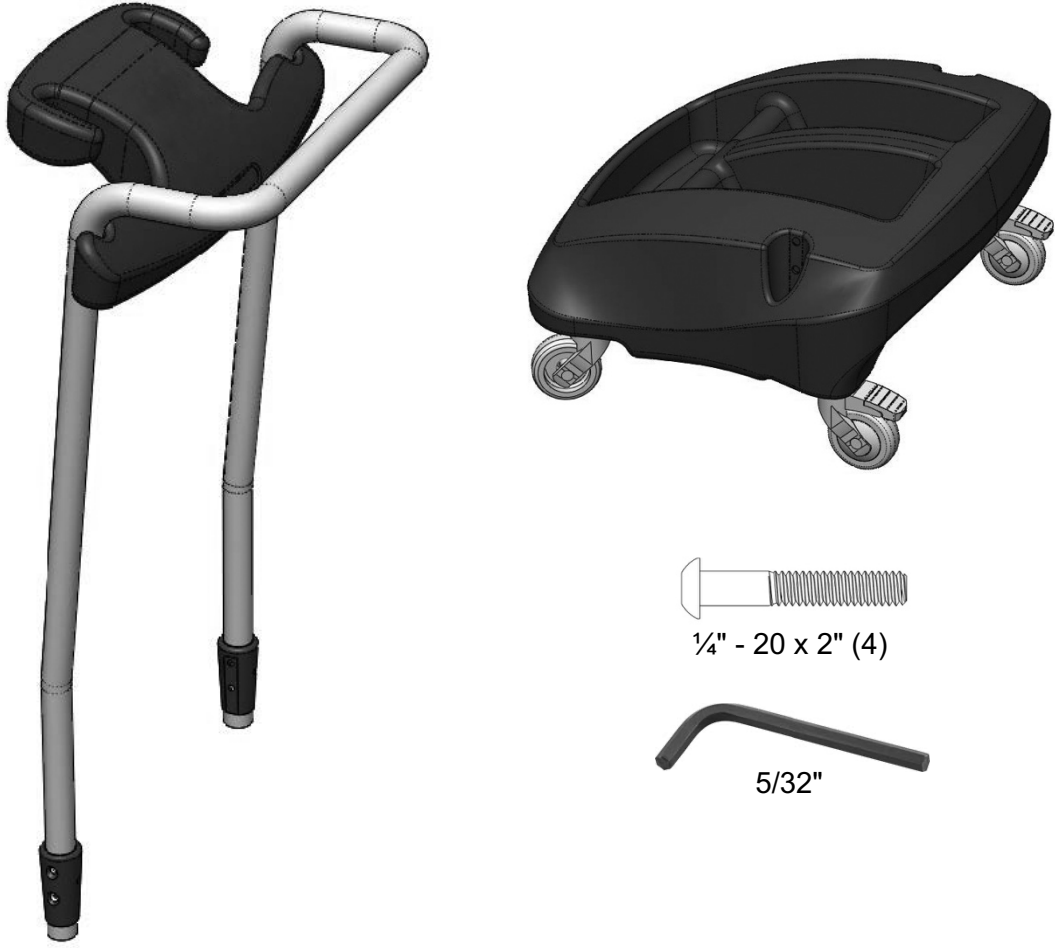
KTEK™ Stirrup Cart

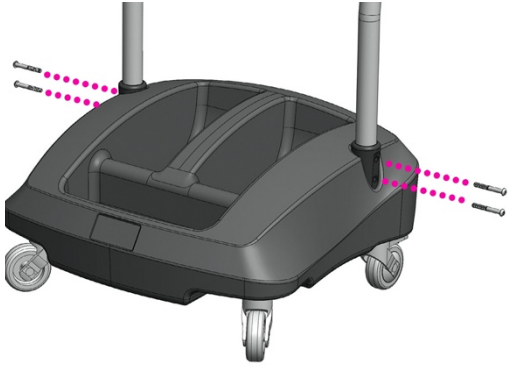
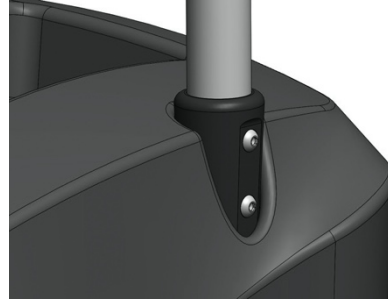
Kullanımı için talimatlar



KTEK™ Stirrup Cart:
KTEK1000

1 Parça Listesi



2 Montaj Talimatları**1****2****3****4****5**

k•tek™

Kyra Medical, Inc.
102 Otis St.
Northborough, MA 01532
United States of America

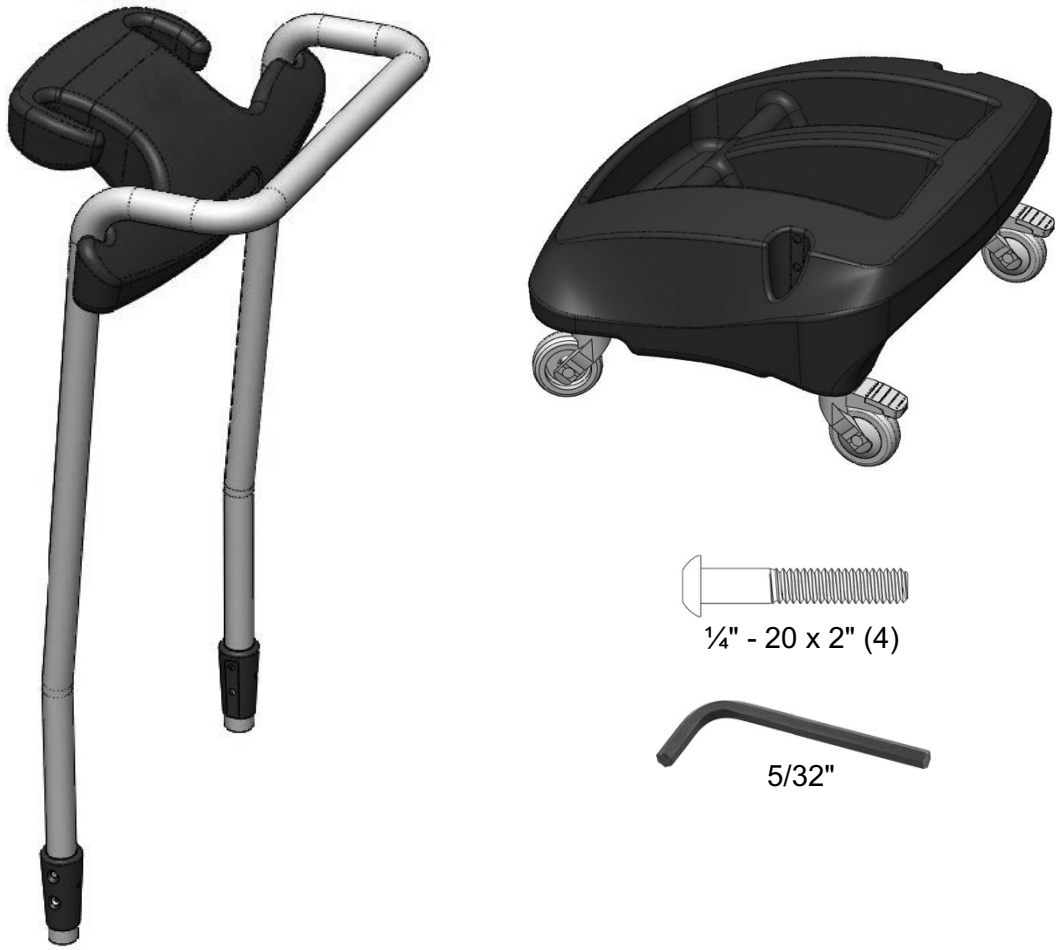
KTEK™ Stirrup Cart

Hướng dẫn sử dụng



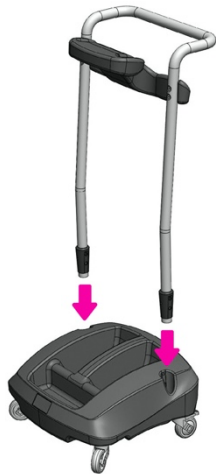
KTEK™ Stirrup Cart:
KTEK1000

1 Danh sách các bộ phận



2 Hướng dẫn lắp ráp

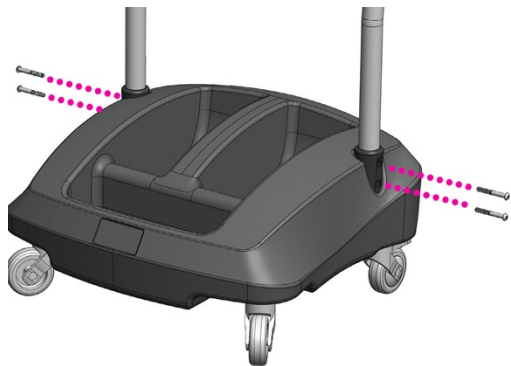
1



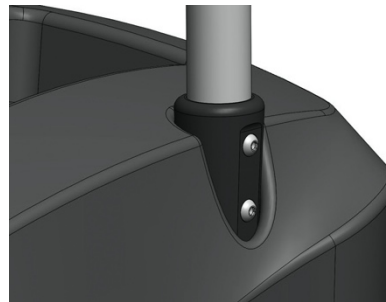
2



3



4



5

